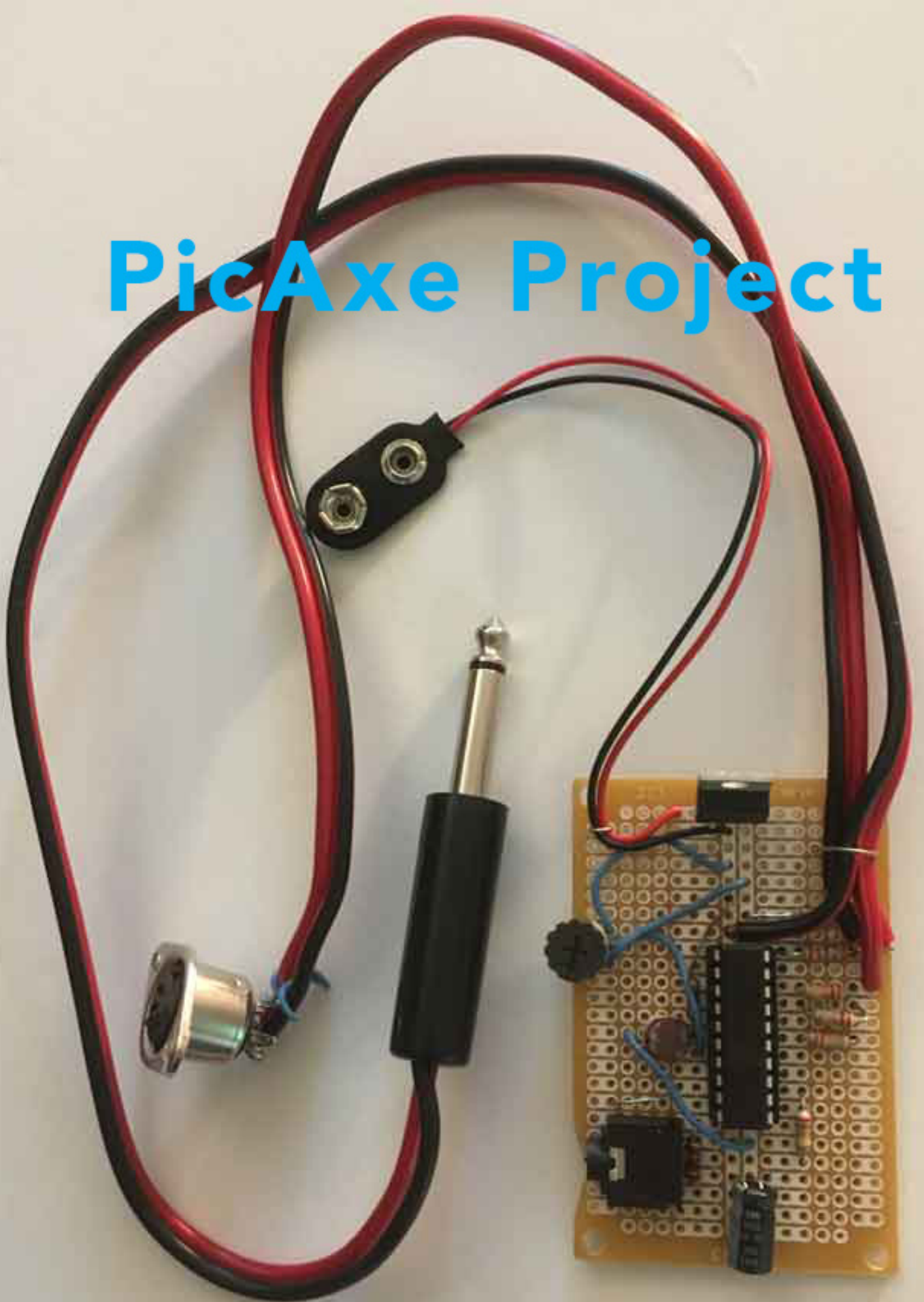
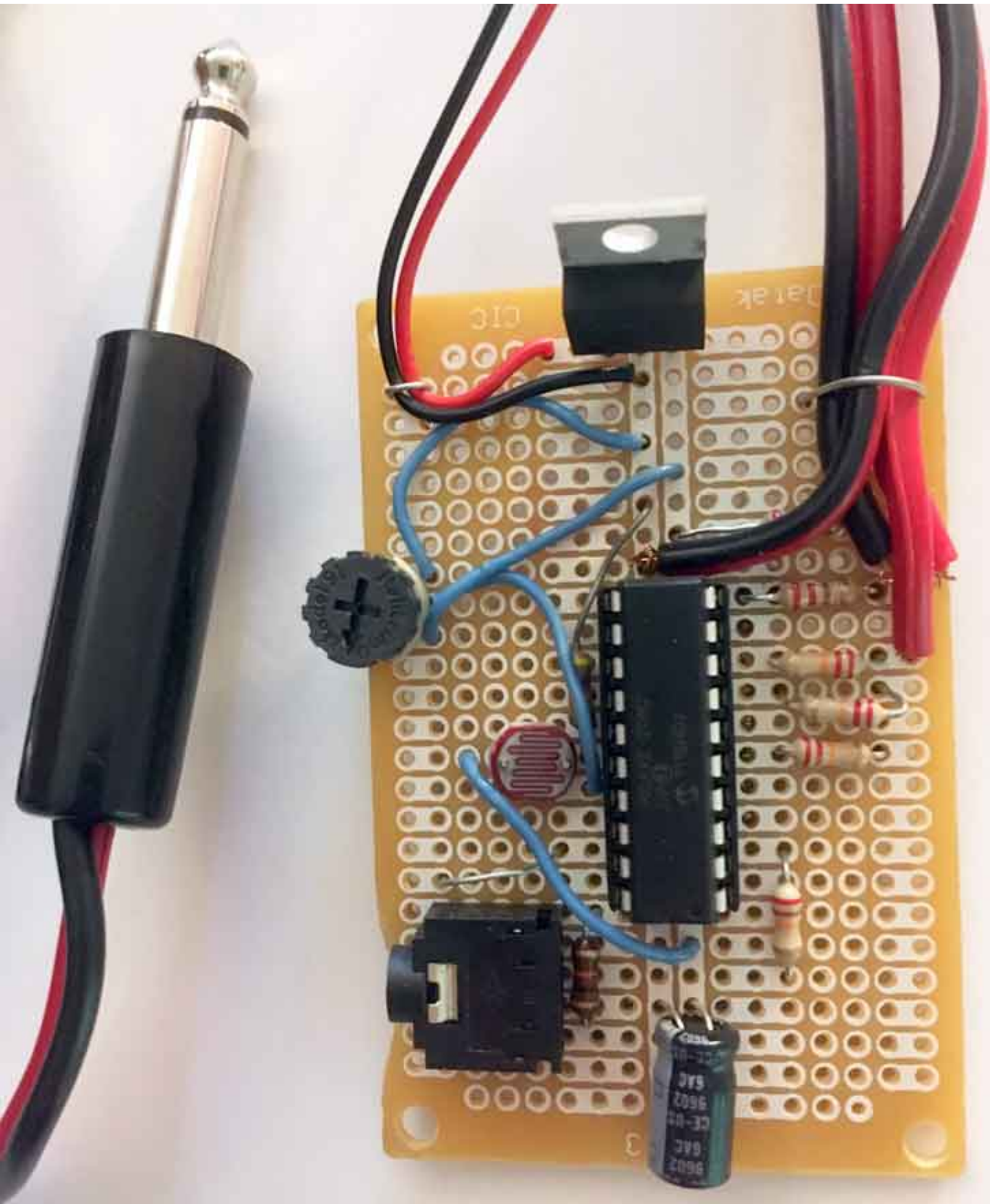
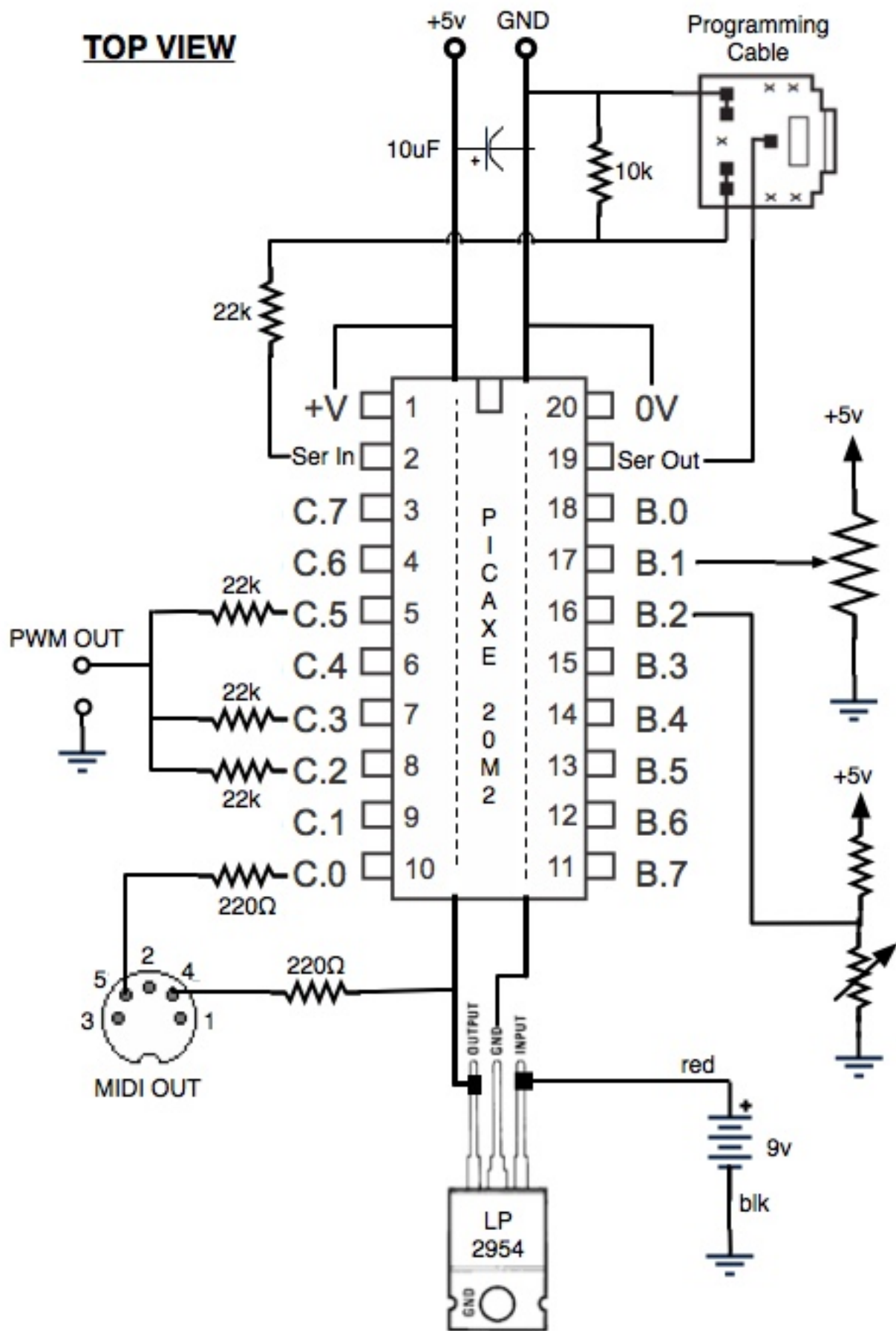


PicAxe Project





TOP VIEW



```

; Initialization Setup
hsersetup B31250_4, 0
symbol key = b2
symbol vel = b3
symbol prog = b4
symbol controller = b5
symbol control = b6

; Main Loop 49
main:
    random w0
    key = $36 + b0/4
    key = key and $7F
    vel = $70
    prog = b0 and $7F
    gosub program_chng
    gosub note_on
        pwmout pwmdiv16, C.2, b0, 156
        b8 = b0 xor $FF

        pwmout pwmdiv64, C.3, b8, 156
    pause 50
        pwmout C.2, off
        pwmout C.3, off
    gosub note_off
    b7 = b0 +20
    pause b7

goto main

;MIDI Subroutines
note_on:
hserout 0, ($90, key, vel)
return
note_off:
hserout 0, ($90, key, 0)
return
program_chng:
hserout 0, ($C0, prog)
return
control_chng:
hserout 0, ($B0, controller, control)
return

```

