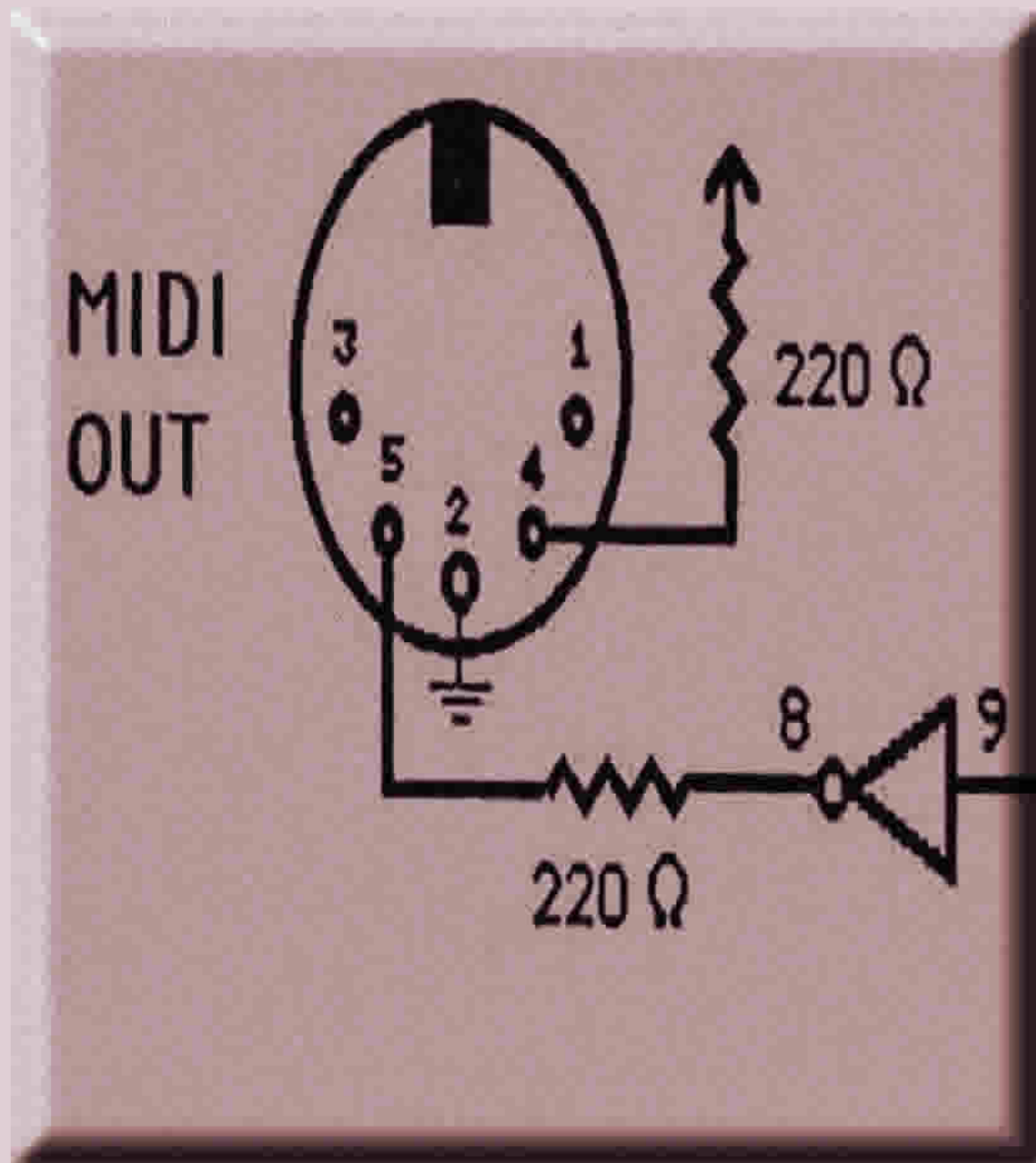
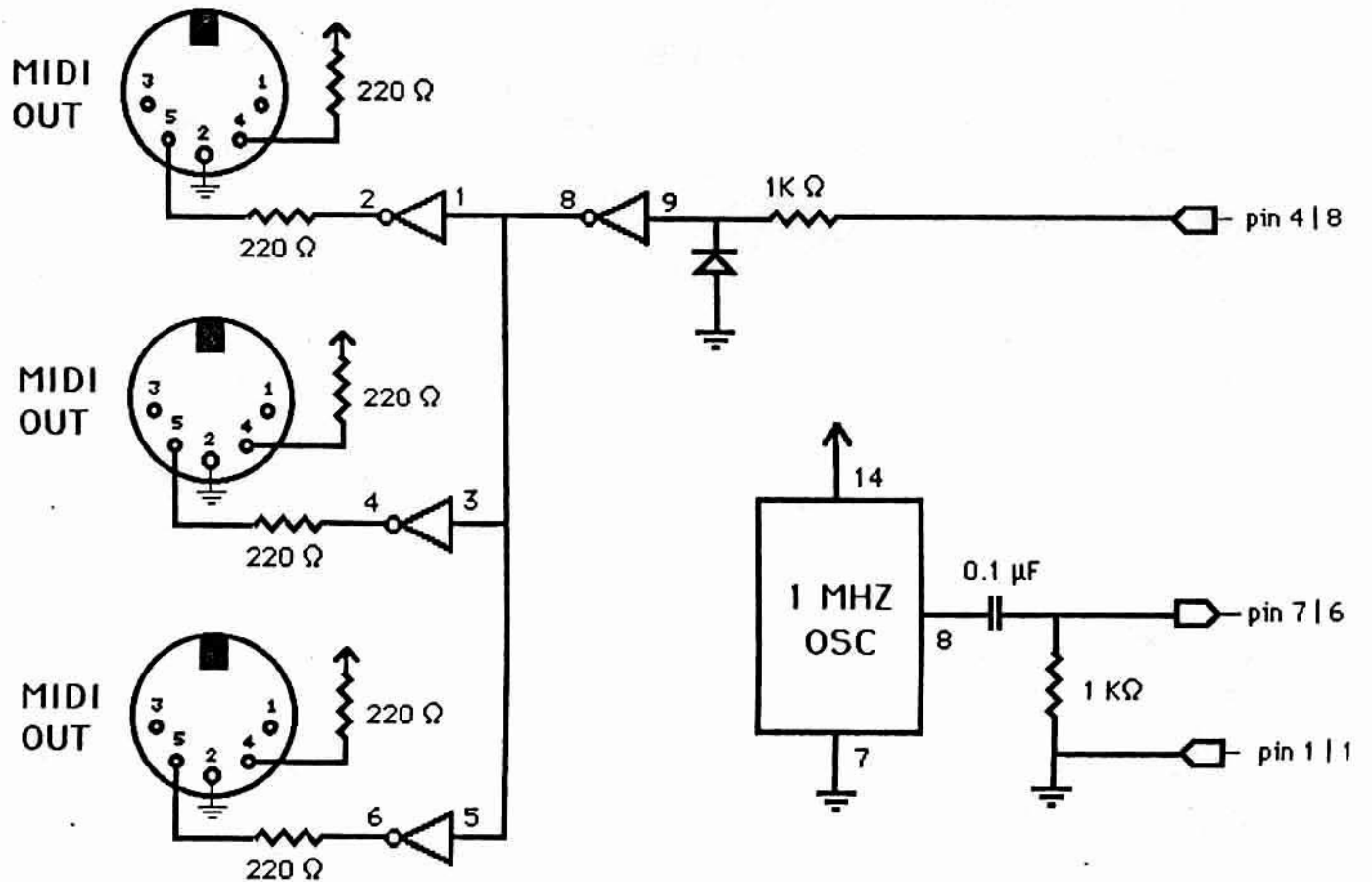
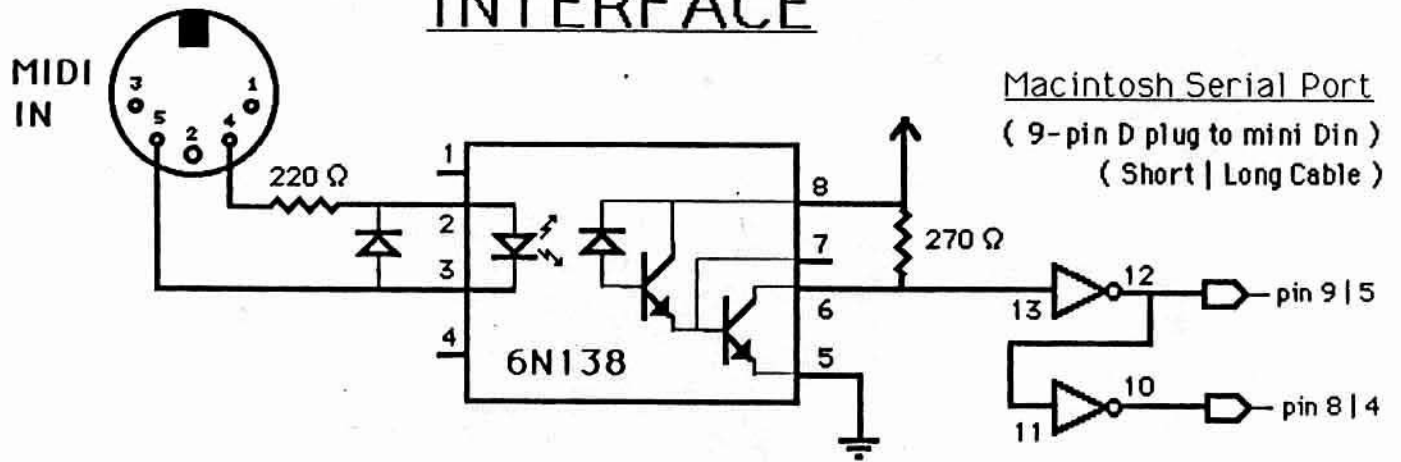


# MIDI INTERFACES

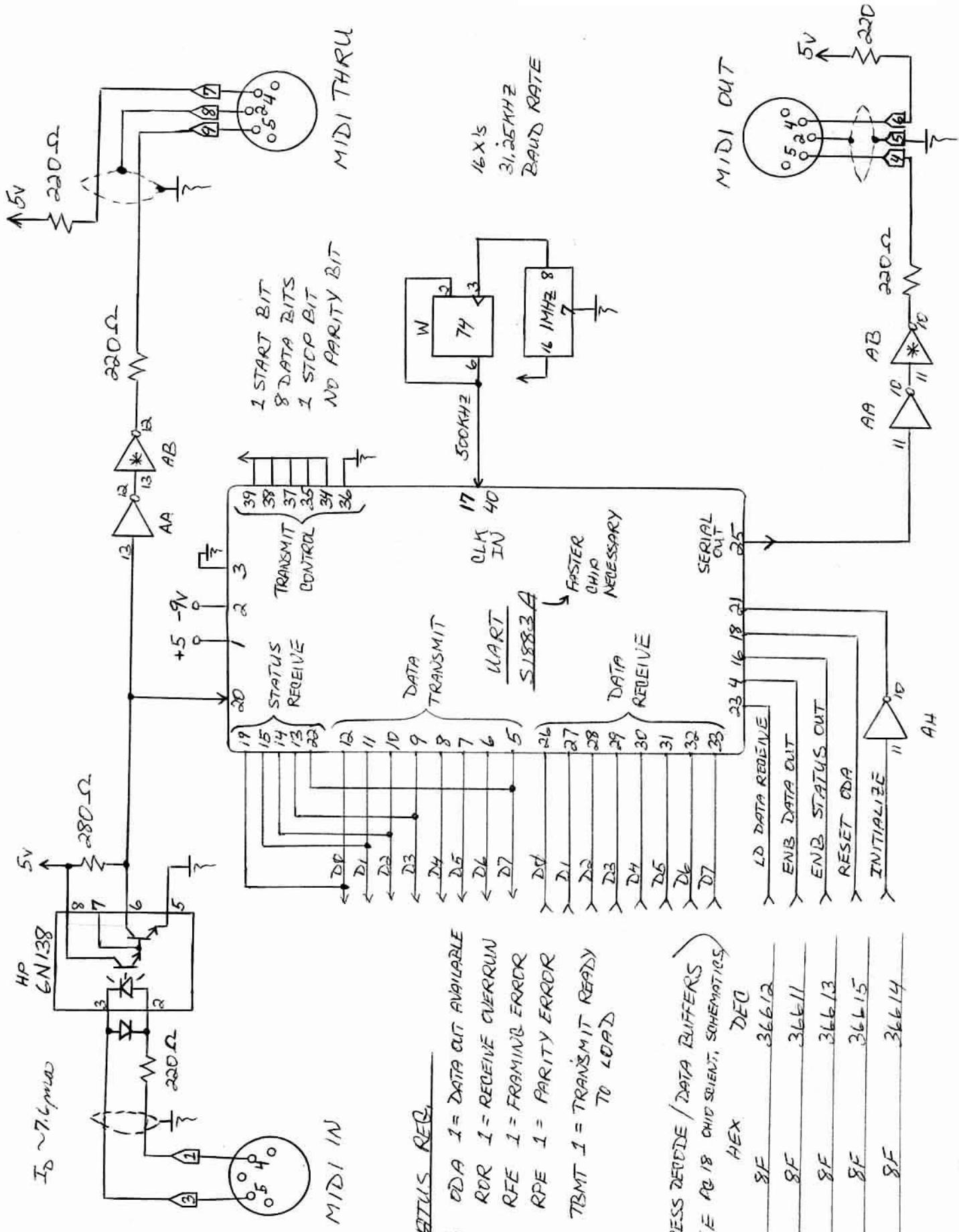


# MACINTOSH TO MIDI INTERFACE



Midi Out pin 2 - grounded shield  
 Power supply - + 5 volts  
 Inverters - 7404, 7414, or 7405





STATUS REG.

D0 DDA 1 = DATA OUT AVAILABLE  
 D1 RDR 1 = RECEIVE OVERRUN  
 D2 RFE 1 = FRAMING ERROR  
 D3 RPE 1 = PARITY ERROR  
 D7 TBMT 1 = TRANSMIT READY TO LOAD

( ADDRESS DECODE / DATA BUFFERS )  
 SEE PG 18 CHIPSIDENT, SCHEMATICS

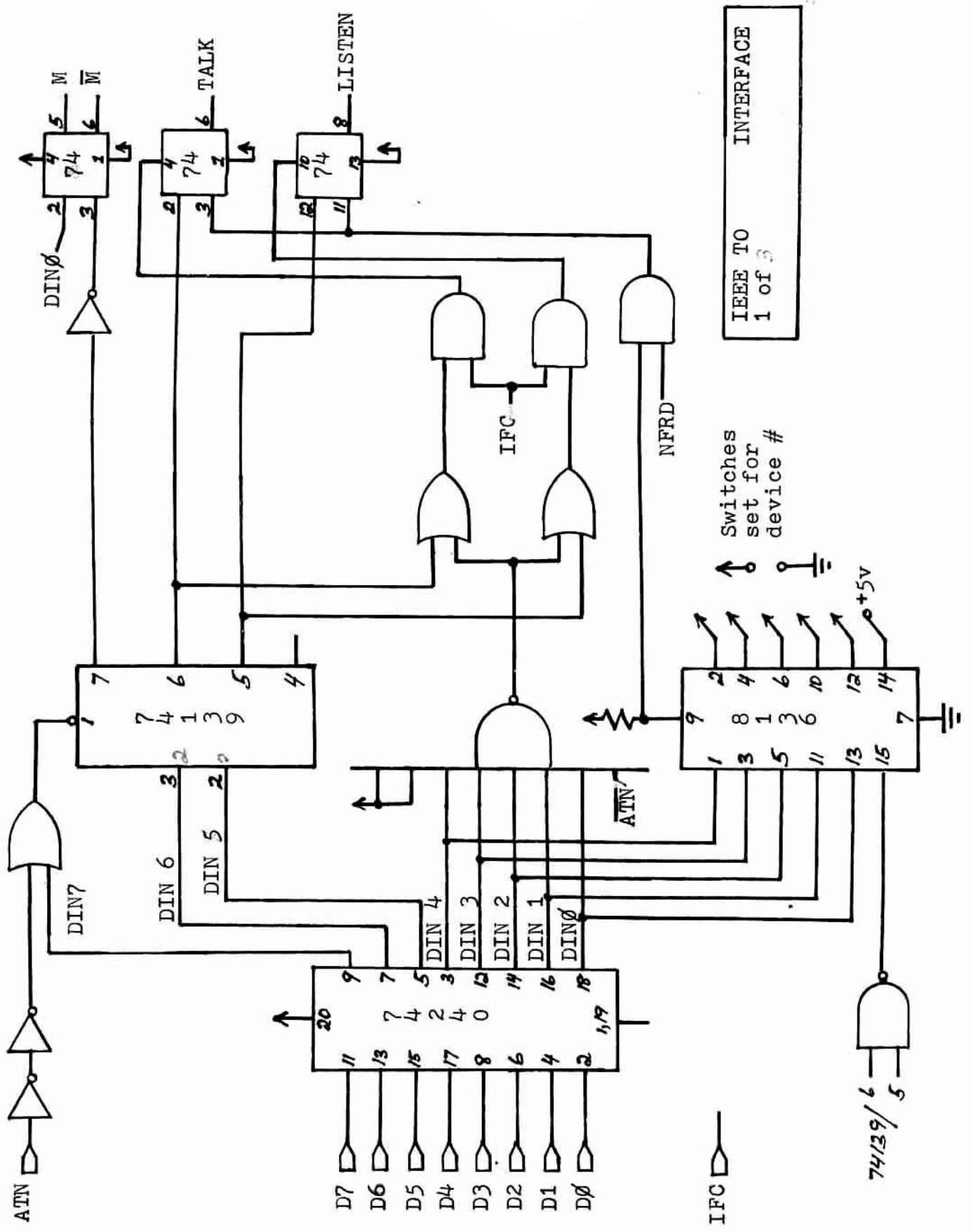
HEX	DEC
8F	36612
8F	36611
8F	36613
8F	36615
8F	36614

MIDI INTERFACE

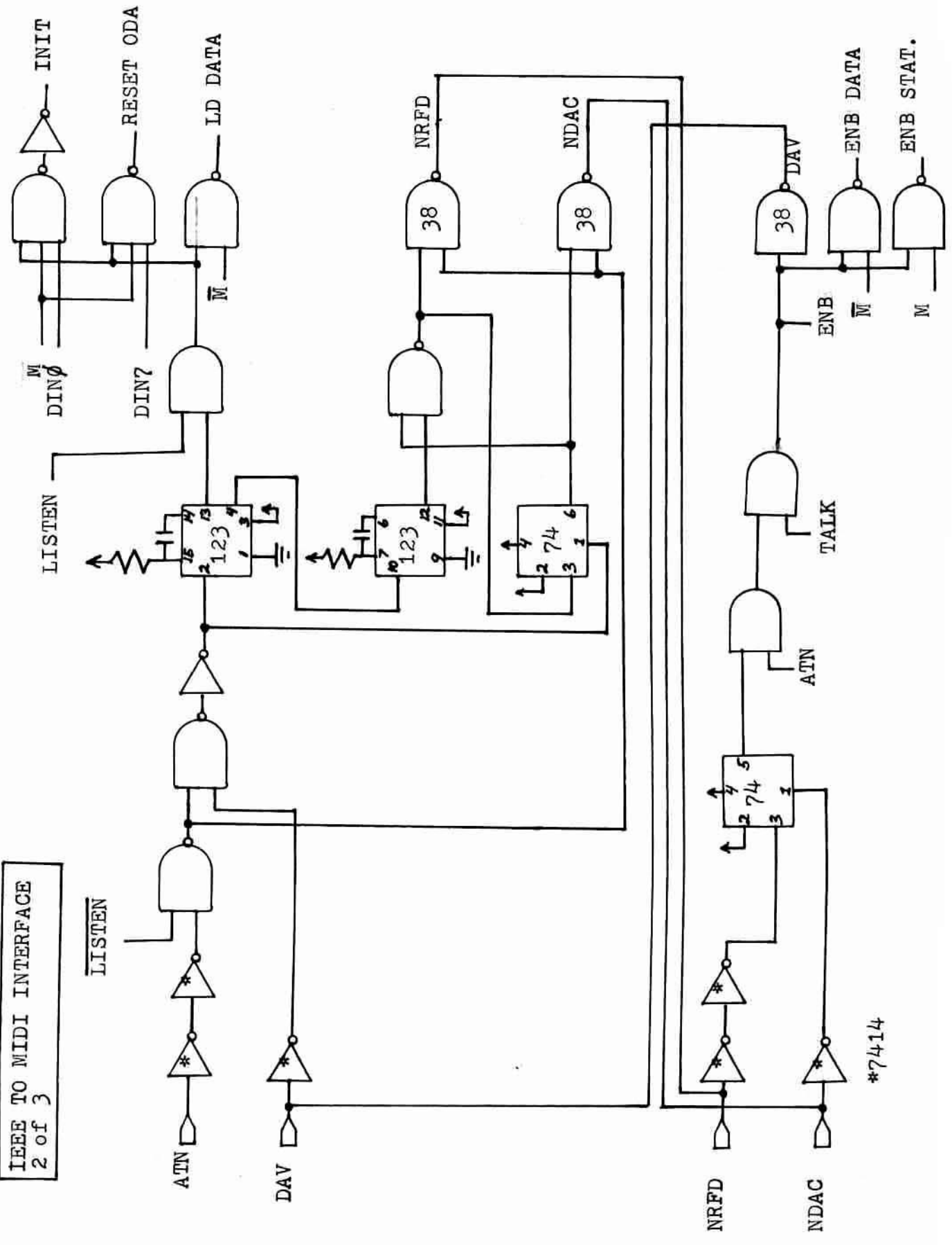
Q.T. 1/84

MAX MIDI CABLE LENGTH = 50 FEET  
 \* (OPEN) COLLECTOR

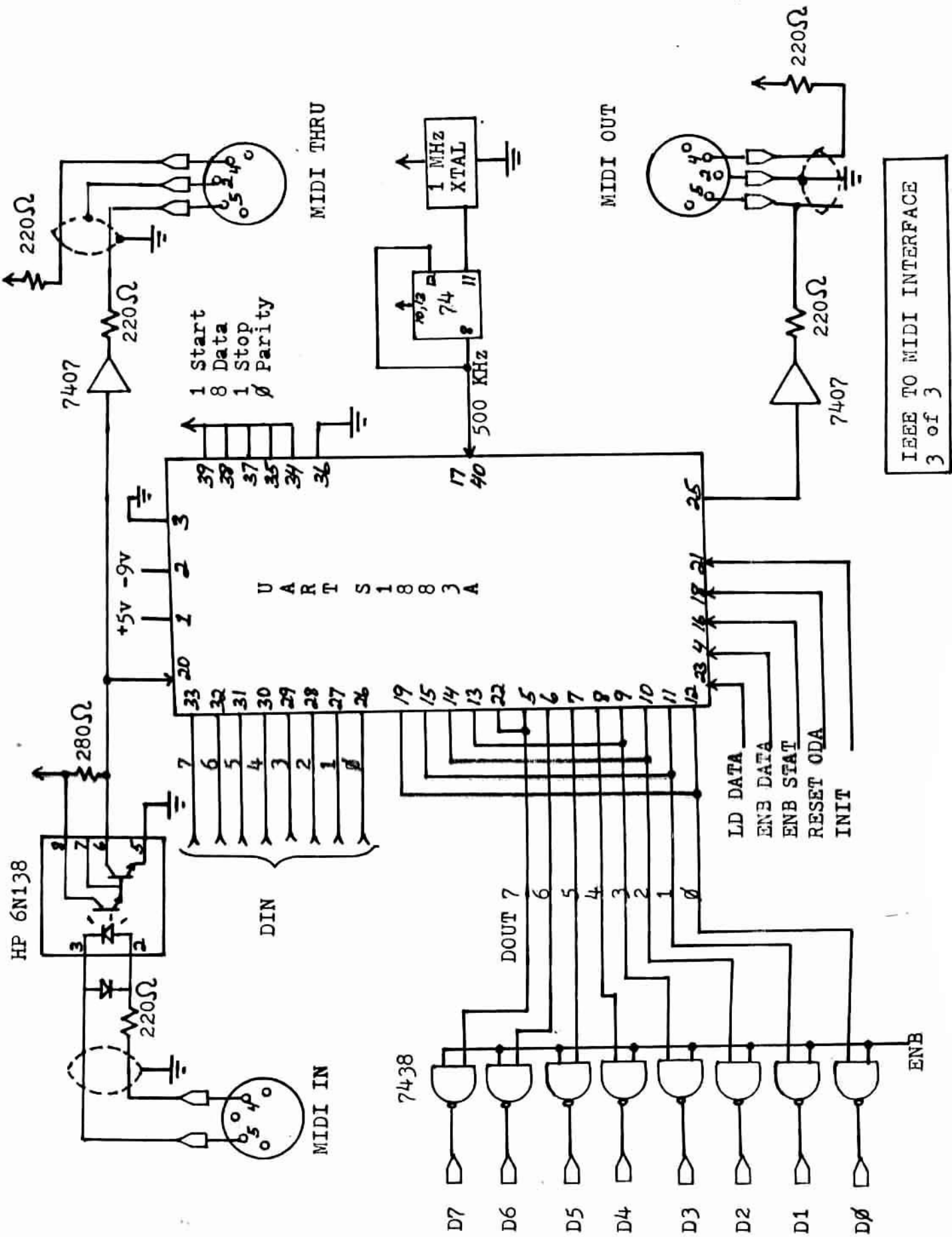
**IEEE  
TO  
MIDI  
INTERFACE**



IEEE TO MIDI INTERFACE  
2 of 3



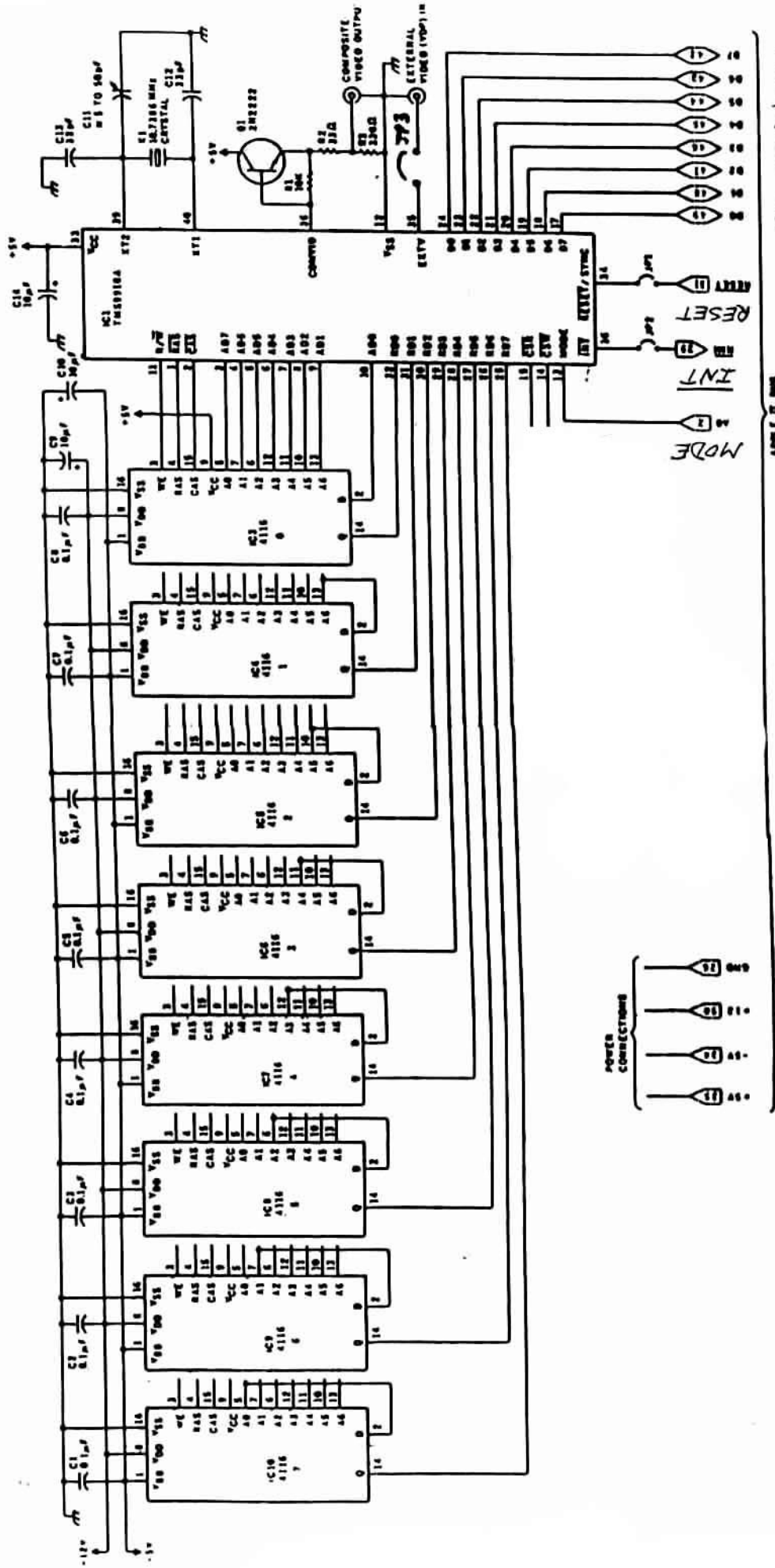
\*7414



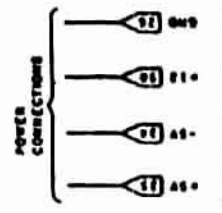
IEEE TO MIDI INTERFACE  
3 of 3



Micromint Video Board



76543210  
AHZ



IEEE TO VIDEO INTERFACE  
4 of 4